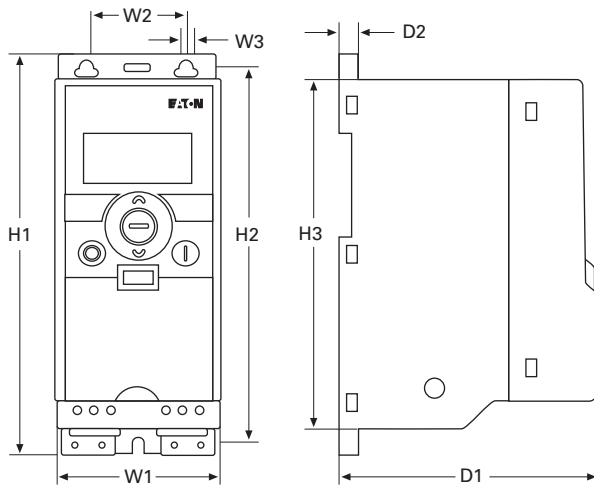


Dimensions

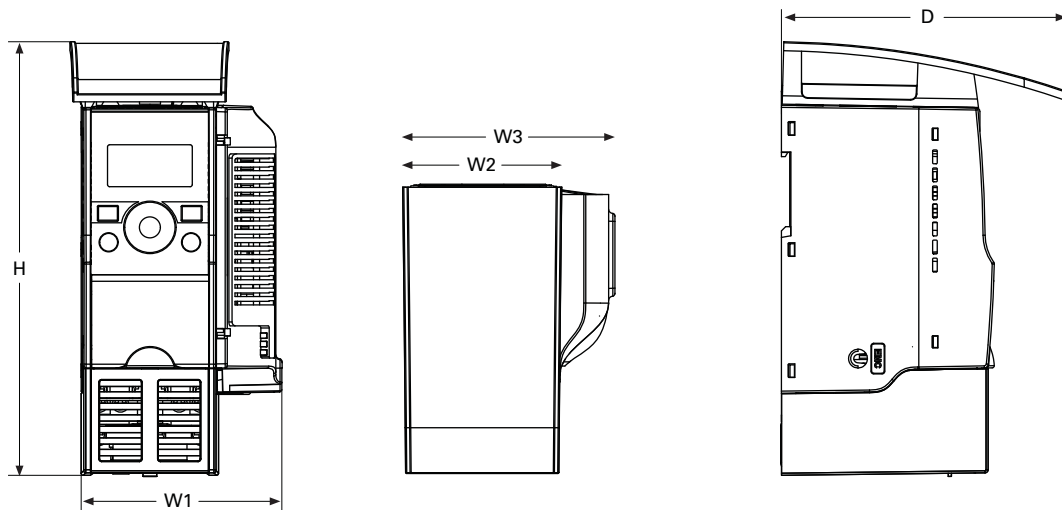
Approximate Dimensions in Inches (mm)

M-Max Drives



Frame Type	H1	H2	H3	W1	W2	W3	D1	D2	Weight Lbs (kg)
FS1	6.16 (156.5)	5.79 (147.0)	5.40 (137.3)	2.58 (65.5)	1.49 (37.8)	0.17 (4.5)	3.88 (98.5)	0.27 (7.0)	1.213 (0.550)
FS2	7.68 (195.0)	7.20 (183.0)	6.69 (170.0)	3.54 (90.0)	2.46 (62.5)	0.22 (5.5)	4.00 (101.5)	0.27 (7.0)	1.543 (0.699)
FS3	10.33 (262.5)	9.93 (252.3)	9.50 (241.3)	3.94 (100.0)	2.95 (75.0)	0.22 (5.5)	4.27 (108.5)	0.27 (7.0)	2.183 (0.990)

NEMA 1/IP21 M-Max Drives and Communication Adapter Kit



Frame Type	H	W1	W2	W3	D
FS1	8.14 (206.7)	3.77 (95.7)	2.99 (75.9)	3.98 (101.2)	5.41 (137.5)
FS2	9.90 (251.5)	4.72 (120.0)	3.97 (100.8)	4.94 (125.5)	5.68 (144.2)
FS3	12.26 (311.5)	5.12 (130.1)	4.36 (110.8)	5.33 (135.3)	6.32 (160.5)